



Users' Manual

MAX Fastener

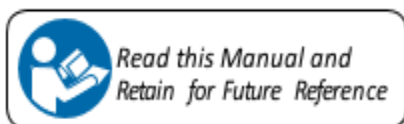


Ferno Slovakia s.r.o.
91307Bosaca893 Slovakia
Tel: +421 (0) 32 7708010, sales.sk@ferno.com

April 2024, ver. 01

Pub.No.50-8251-008_01

Disclaimer



TIP: Regular cleaning helps reduce the risk of transmitting disease and enables the equipment to function at its optimum

This manual contains general instructions for the use, operation and care of the MAX Fastener. The instructions are not complete. Safe and proper use of this MAX Fastener is solely at the discretion of the user. Safety information is included as a service to the user. All other safety measures taken by the user should be within and under consideration of applicable regulations.

Retain this manual for future reference. Include it with the chair in the event of transfer to new users. Additional free copies are available upon request from FERNO Manufacturing.

WARNING

Improper parts and service can cause injury. Use only Ferno parts and Ferno-approved service on the fastening systems.

Modifying the fastening system can cause injury and damage. Use the fastening system only for its intended use.

WARNING

An improperly-secured fastening system can fail in a crash. Confirm all mounting screws are fully tightened and the fastening system is properly secured to the floor.

Ferno products meet the requirements of Medical Device Directive MDR 2017/745 as established by the European Union.

The MAX Chair with the Fastener meets the following standards:

- EN 1865-1:2010+A1:2015
- EN 1789:2020



MAX Fastener

The MAX Fastener is for use with Ferno® products only. No guarantee is given for usage with other carriers than those of Ferno. MAX Fastener is attached to the floor of the ambulance. The floor or tray to which the mounting components are attached must have sufficient strength to hold the mounted fastening system and MAX chair with patient.

The locking pin of the MAX Chair is inserted into the Fastener and wheeled forward until a click is heard, ensuring it is locked. To unlock, press the button located inside the end of the fastener.

It is the users' responsibility to ensure safe practices for the patient and themselves. To install the MAX Fastener, a skilled professional who is familiar with ambulance construction is required. Consult the ambulance manufacturer for ambulance structural details and ambulance warranty information. Inspect the ambulance for anything that might interfere with the installation.



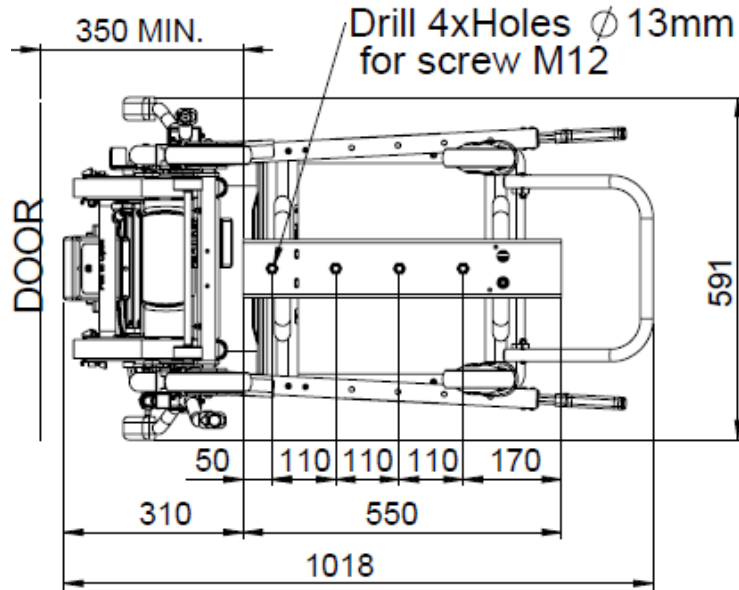
Hardware Provided:

73-3501-003	FLAT WASHER 13x24x2,5 S/S, RoHS	4 pcs
73-1306-040	M12x30 HEX. SOCKET HEAD DIN912 ZPS, RoHS	4 pcs
73-2303-005	M12 LOCK HEX NUT DIN 985 ZPS, RoHS	4 pcs

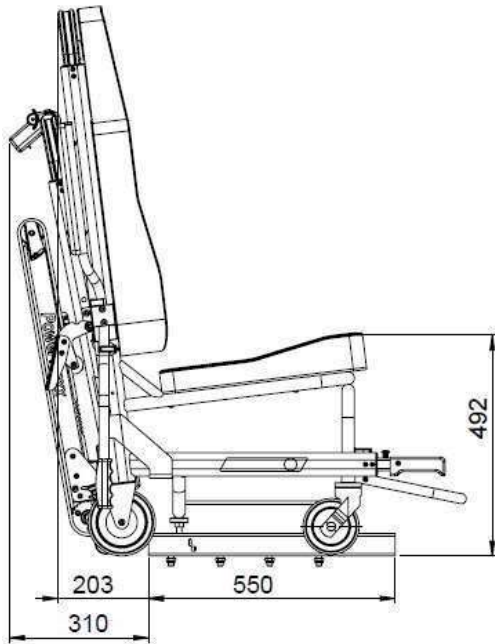


INSTALLING TO AMBULANCE

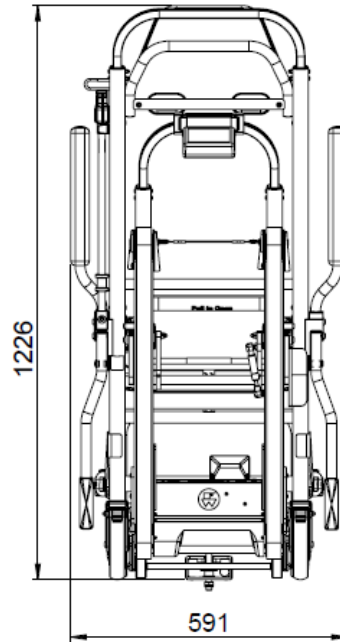
BOTTOM VIEW



SIDE VIEW



REAR VIEW



[Cleaning and Disinfection]

Hand clean all surfaces of the fastening system with warm water and a mild detergent. Rinse with warm, clear water. Dry the fastening system with a towel or allow it to air-dry.

Wipe all surfaces with disinfectant. Follow the disinfectant manufacturer's instructions for application method and contact time. Ferno recommends you inspect the MAX Fastener for damage as you disinfect it.

[Inspecting the stretcher]

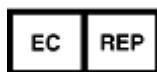
Have your service's equipment maintenance personnel inspect the MAX Fastener regularly. If inspection shows damage or excessive wear, remove the MAX Fastener from service until repair is made.

[Parts and services]

To order Ferno parts and for professional MAX Fastener repair, contact FERNO or your Ferno distributor. Your distributor is the only agent authorized by Ferno to manage, service and repair Ferno products.

Ferno Slovakia Contact:

Ferno Slovakia s.r.o. Bošáca 893
913 07 Slovakia
Tel: + 421 (0) 32 7708 010



Ferno Washingtom Italia S.r.l.
via B.Zallone, n26, 40066
Pieve di Cento,
Bologna, Italy
+39.051.6860028